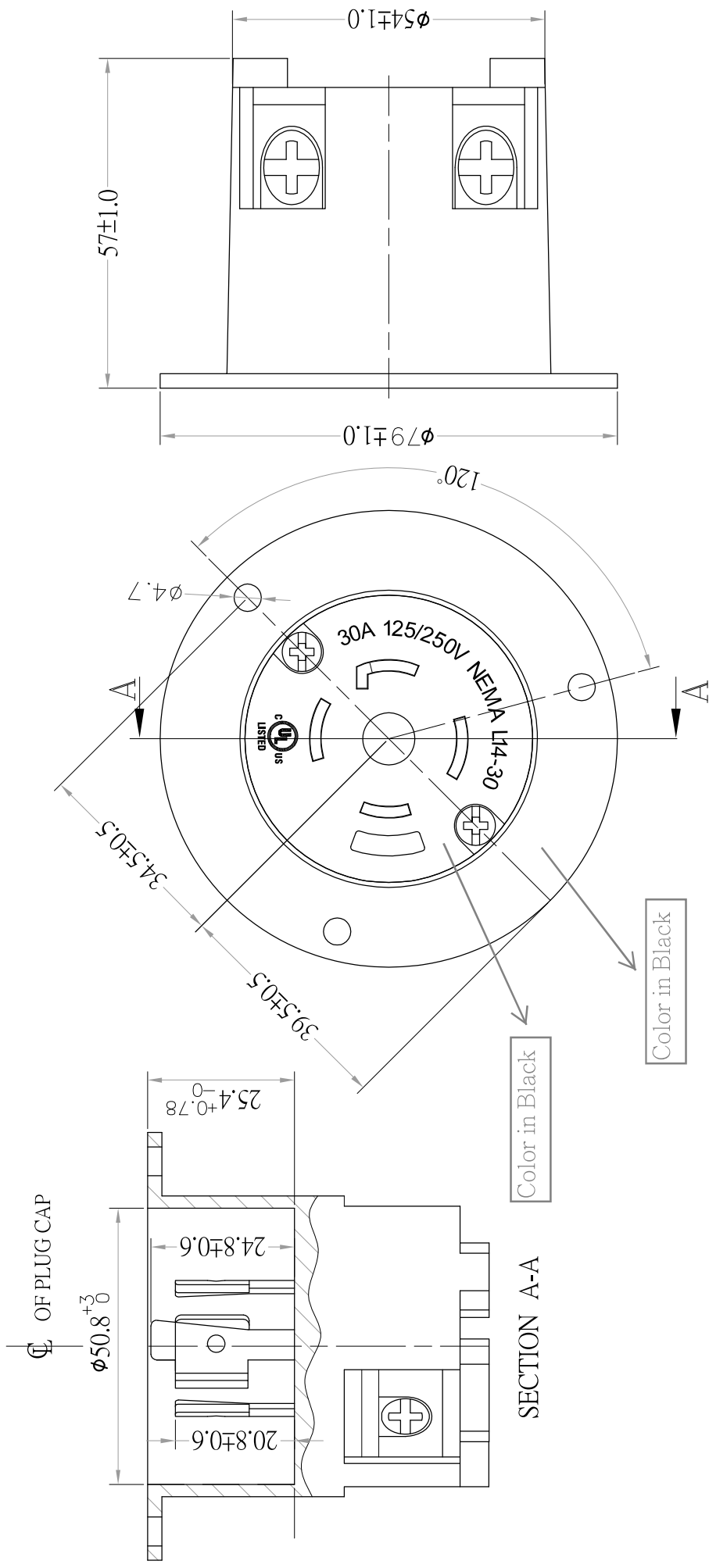


Rating: 30A 125/250V
 Approvals: UL / cUL



REV	REVISION DESCRIPTION	DATE	BY	CHKD	TOLERANCE	TITLE
E					<3 ±0.2	ASINL1430P
D					3~<6 ±0.3	
C					6~<15 ±0.4	DRAWING NO.
B					15~<30 ±0.5	REV
A	Initial Release	104.01.05	CHEN	QUEEN	30~<90 ±1.0	A